

ALFRED TEVES BRAKE SYSTEMS (PTY) LTD

TECHNICAL BULLETIN

23 June 2022

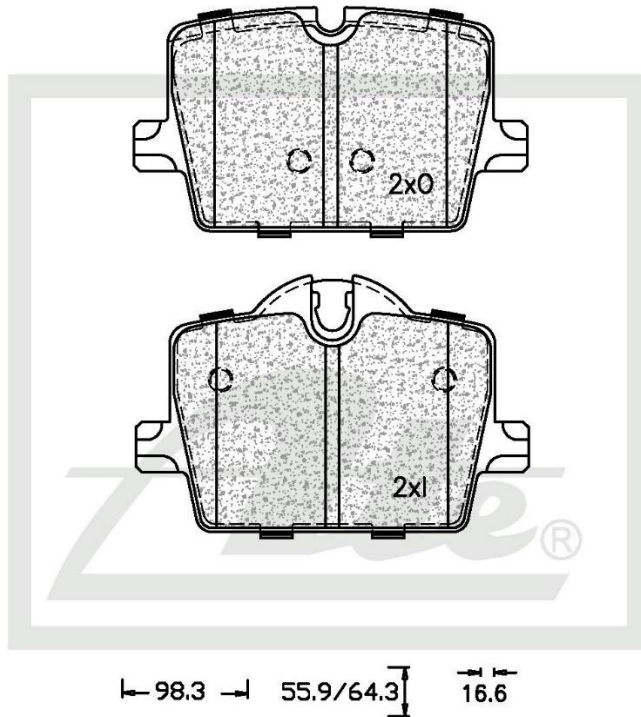
ATE1411



(ATE and Teves are registered trademarks of Continental Teves AG & Co oHG and/or its affiliates in Frankfurt Germany and other Countries)

NEW PART NUMBER

Drawing



Details of New Part

Brake Pad – Rear

Product Dimensions

Length – 98.3mm

Height – 55.9/64.3mm

Thickness – 16.6mm

Package Dimensions

Weight – 1209.1g

L – 137.64mm

W – 88.44mm

H – 67.70mm

Barcode



Vehicle Applications

BMW 3 (G20, G80) 330d 2019-; BMW 3 (G20, G80) 330i 2018-; BMW 4 (G23) 420d Mild-Hybrid 2020-; BMW 4 (G23) 430i 2020-; BMW 4 (G23) M 440i Mild-Hybrid xDrive 2020-; BMW 4 (G22, G82) 430i 2020-; BMW Z4 (G29) sDrive 20i 2018-.

Front

Position

Rear



CALL NOW TO ORDER YOUR STOCK!!!

(011) 898 1800

Picture(s) of the vehicle(s) that this part is suitable for



www.ate.co.za

"Single Minded about YOUR Safety"